



OPERATING WEIGHT	14.4 t
ENGINE OUTPUT	129 kW (175 hp)
BUCKET CAPACITIES	2.5-4.5 m ³
TIPPING LOAD, STRAIGHT	10.72 t
TIPPING LOAD, ARTICULATED	9.36 t



Wheeled Loader TL260

Technical data

Engine	
Manufacturer, model	Cummins, QSB 6.7
Type	6-cylinder, turbocharged diesel engine, COM III/EPA III
Combustion	4-stroke, Common Rail injection
Displacement	6700 cm ³
Net power rating at 2200 rpm (ISO 9249)	129 kW (175 hp)
Cooling system	Water
Electrical system	
Nominal voltage	24 V
Lighting system in compliance with German and European standards.	
Power transmission	
Hydrostatic drive, closed circuit, independent from loader hydraulics. Perfected driving automatics, automatic adjustment of drawbar pull and speed. Hydraulic motor power shift providing two speed ranges. Infinitely variable speed control forward and reverse. 4-wheel drive from reduction gear on rear axle via cardan shaft to front axle. Brake inching pedal.	
2 gears:	
Speed range I	0-6 km/h
Speed range II	0-40 km/h
Axles	
Front: Rigid planetary final drive axle. Limited slip-type differential.	
Rear: Oscillating (with cushioning) planetary final drive axle, with integrated reduction gear. Limited slip-type differential.	
Oscillation	± 12°
Tires	
Standard	20.5-25 EM 60 16 PR
Option	20.5 R 25 XHA L3 Michelin
Option	20.5 R 25 X Mine D2 L5 Michelin
Option	20.5 R 25 XLDD2A L5 Michelin
Option	20.5 R 25 VMT L3 Bridgestone
Option	20.5 R 25 VSDL L5 Bridgestone
Non-standard tires available on request	
Brakes	
Service brake: Hydraulically actuated two-circuit power brake system. Oil-immersed multi-disc brakes in both axles, acting on all 4 wheels via 4-wheel drive.	
Auxiliary brake: Hydrostatic drive provides dynamic braking.	
Parking brake: Spring-loaded brake acting on the discs of both axles.	
Steering	
Articulated, 2 steering cylinders with final positioning damping on both sides, fully hydraulic through Load-Sensing priority valve, quick and easy steering even at engine idle-running speed.	
Total steering angle	80°
Fluid Capacities	
Fuel tank	240 l
Hydraulic system (incl. tank)	135 l

Operating data, standard equipment

Operating weight (ISO 6016)	14,400 kg
Tipping load, straight, arms horizontal (ISO 14397-1), directly mounted / QAS	10,720 / 10,360 kg
Tipping load, articulated, arms horizontal (ISO 14397-1), directly mounted / QAS	9360 / 9040 kg
Total length, bucket on ground	7230 mm
Total width	2500 mm
Turning radius at outside bucket edge	6080 mm
Wheelbase	3100 mm
Total height (top of cab)	3260 mm

Hydraulic system

Max. pump capacity	160 l/min
Max. working pressure	310 bar
Control unit: Proportional hydraulic valve with 3 control circuits. Simultaneous, independent control of all movements. Single, four-way control lever (multi-function lever) for 1 tilt and 2 lift cylinders with integrated travel direction selector switch and switch for additional control circuit. Float position in control circuit "Low-ering", electro-hydraulically operated. Additional control circuit electrically operated with preselection of flow rate and impulse/continuous operation.	

Loader frame

Loader frame with TSP-linkage, attachments directly mounted.	
General-purpose bucket (ISO 7546)	2.60 m ³
Lift capacity at ground level (ISO 14397-2)	141,000 N
Breakout force at bucket edge (ISO 14397-2)	119,900 N

Fork Lift Attachment

Payload over the total lift and steering range	5000 kg
Width of fork carrier	1900 mm
Length pallet forks (150x60 mm)	1200 mm
Stability factor	1.25
Payload determined on level ground = 80 % of tipping load, articulated	

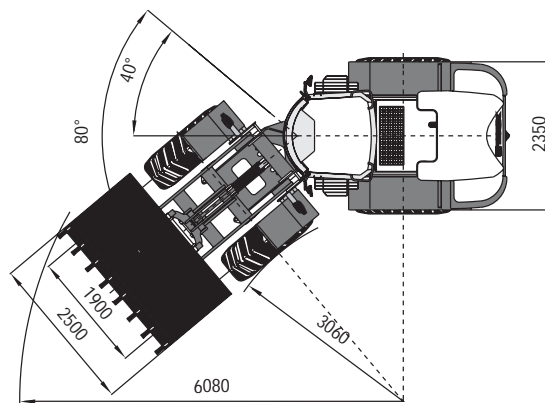
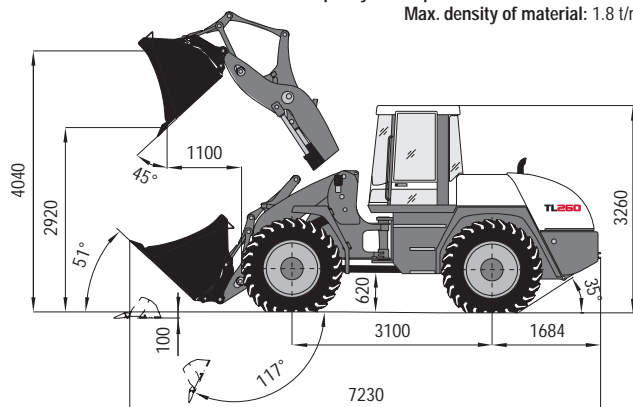
Cab

Rubber-mounted full-vision steel cab, ROPS (acc. to ISO 3471) and FOPS (acc. to ISO 3449) certified.	
Cab featuring two doors, electric windshield intermittent wipers and washer (front and rear), tinted panoramic safety glass, sliding window on left-hand side.	
Driver's seat with hydraulic cushioning and lap belt, weight-adjustable, in compliance with ISO 7096 and ISO 6683.	
Cab heating with 3-speed heater fan (choice fresh air/recirculating air) and windshield defroster, front and rear.	
Automatic climate control.	
Height and tilt-adjustable steering wheel.	
Radio pre-installation.	
2 front and 2 rear working floodlights.	
Sound level values in compliance with EC-directives.	

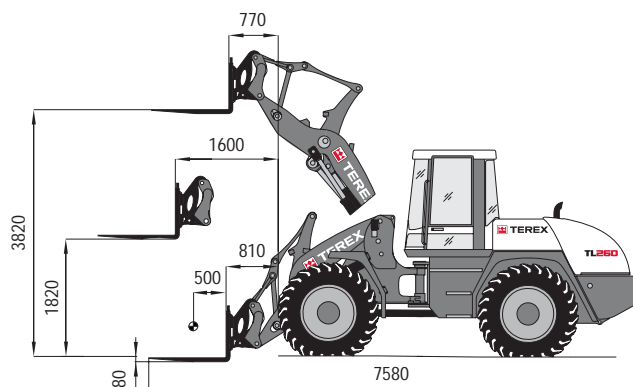
Wheeled Loader TL260

Dimensions: General-Purpose Bucket

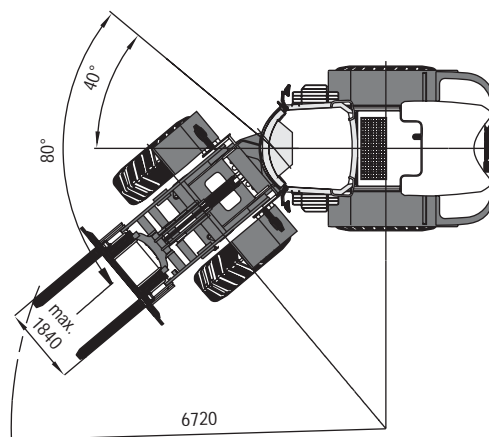
Rated capacity in compliance with ISO 7546: 2.60 m³
Max. density of material: 1.8 t/m³



Fork Lift Attachment



Payload over total lift range: 5000 kg



Bucket Type

	Capacity	Density	Width	Dump height
General-purpose bucket, QAS, teeth	2.50 m ³	1.8 t/m ³	2500 mm	2850 mm
General-purpose bucket, directly mounted, teeth	2.60 m ³	1.8 t/m ³	2500 mm	2920 mm
Earth bucket, QAS, teeth	2.70 m ³	1.6 t/m ³	2500 mm	2810 mm
Earth bucket, directly mounted, teeth	2.80 m ³	1.6 t/m ³	2500 mm	2880 mm
Light-material bucket, QAS, bolt-on cutting edge	3.30 m ³	1.2 t/m ³	2500 mm	2670 mm
Light-material bucket, QAS, bolt-on cutting edge	4.50 m ³	0.8 t/m ³	2800 mm	2460 mm
High-tip bucket, QAS, bolt-on cutting edge	2.50 m ³	1.2 t/m ³	2500 mm	4550 mm
Examples of Material Densities				
Granite, Sand (damp), Gravel (damp):	1.8 t/m ³	Coal, Slate:		1.2 t/m ³
Earth (damp), Sand (dry), Gravel (dry):	1.6 t/m ³	Coke, Wood chips (dry):		0.8 t/m ³



Terex GmbH Schaeffstrasse 8
D-74595 Langenburg, Germany

PHONE +49 (0)7905 / 58-0 FAX +49 (0)7905 / 58114
EMAIL info@terex-schaeff.com WEB terex-schaeff.de